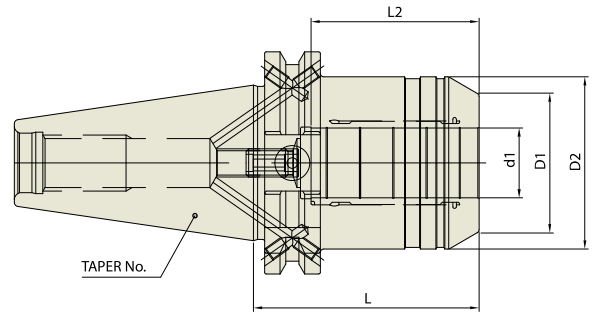


**HYDRAULIC CHUCK (Power E Hydro)**

**DIN 69871-SK**

HYDRAULIK SPANNFUTTER (POWER E HYDRO)  
 MANDRIN HYDRAULIQUE (POWER E HYDRO)  
 MANDRINI IDRAULICI (POWER E HYDRO)  
 PORTAHERRAMIENTAS HIDRAULICO (POWER E HYDRO)



Collet  
 Refer to page 43-46

Unit : mm									
TAPER No.	MODEL No.	EDP No.	d1	D1	D2	L	L2	G	WEIGHT (kg)
40	SK40AD/B-HC12P-50	P2776651P	12	32	42	50	41	M8x1.0	1.00
	SK40AD/B-HC20P-64.5	P2534001P	20	38	49.5	64.5	48	M8x1.0	1.20
50	SK50AD/B-HC20P-64.5	P2756010P	20	38	49.5	64.5	48	M8x1.0	2.80
	SK50AD/B-HC32P-81	P2534002P	32	58.5	72	81	57	M8x1.0	3.90

▶ CAT(ANSI B5.50) taper and Inch type products are available.

- HYDRAULIC CHUCK
- SHRINK FIT HOLDER
- ER COLLET CHUCK
- END MILL HOLDER & SIDE LOCK ARBOR
- SHELL MILL ARBOR
- POWER MILLING CHUCK
- MORSE TAPER ARBOR
- SK SLIM CHUCK
- SYNCHRO TAPPING CHUCK
- ONE STEP TAPPING CHUCK
- TAPPING ER CHUCK
- TAPPING CHUCK
- FACE MILL ARBOR
- COPY MILL ARBOR & INDEXABLE DRILL HOLDER
- NC DRILL CHUCK & OTHER TOOL HOLDERS
- BORING SYSTEM
- ACCESSORY & OTHERS